

# SCS-110M-03-EN

Fire Protected Ceiling / Wall Loudspeaker



## Features

- Steel fire protective enclosure
- Surface / recessed mounting
- Stainless steel cable glands
- Ceramic screw terminal block
- Protective thermal fuse

## Applications

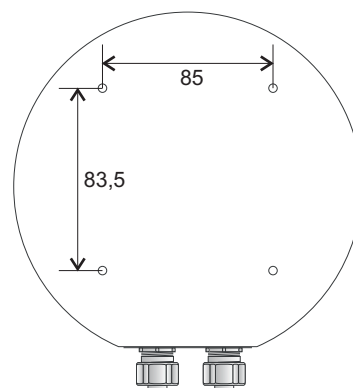
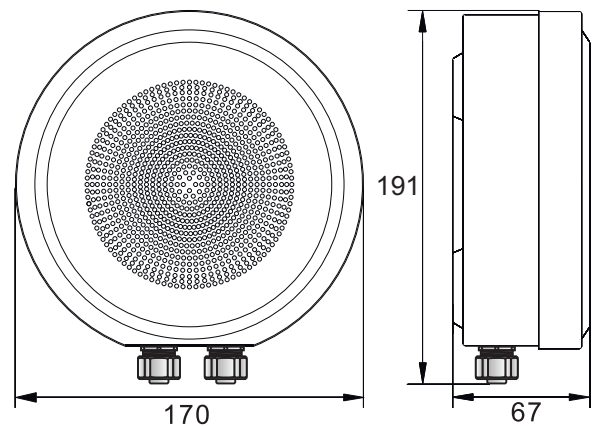
- Indoor voice alarm systems
- Indoor background music systems

**SCS-110M-03-EN** is a fire-protected ceiling/wall loudspeaker, specifically designed for use in buildings where the performance of Public Address and Voice Alarm (PA/VA) systems is subject to official regulations. It is compliant with BS 5839-8 and EN 60849 standards.

The loudspeaker has built-in protection to ensure that in the event of a fire damage does not cause failure of connected circuit. In this way, system integrity is maintained - ensuring loudspeakers in other areas can still be used to inform people of the situation.

The loudspeaker is equipped with a 100 V transformer with power tap for 10 W for use in large PA/VA systems.

## Dimensions



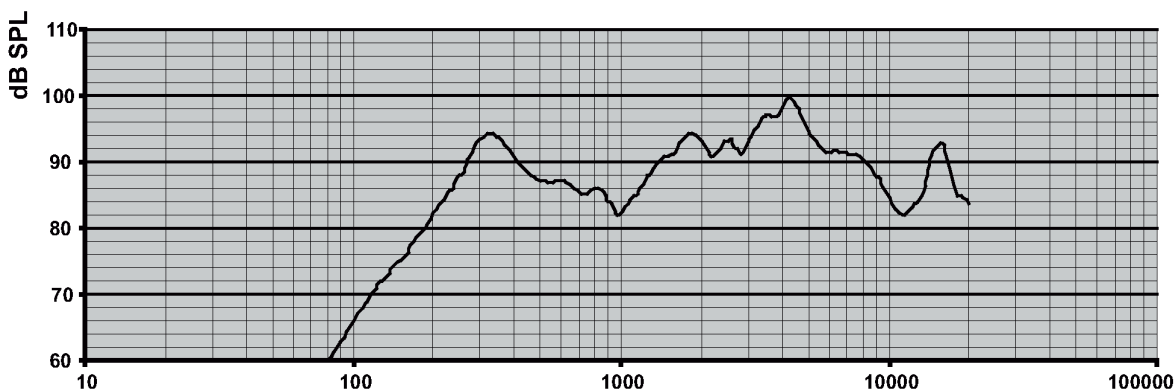
# SCS-110M-03-EN

Fire Protected Ceiling / Wall Loudspeaker

## Technical Specifications

Power Handling	3 W
Rated Input	100 V
Transformer Tapping	3 W
SPL (1W/m)	91 ± 3 dB
Max SPL (rated 1 m)	98 ± 3 dB
Frequency Response	190 Hz – 9 kHz
Dispersion 1 kHz / 4 kHz	180° / 56°
Dimensions (W x H x D)	170 x 191 x 67 mm
Cutout Size (diameter)	166 mm
Material	Steel
Weight (inc. packaging)	1.1 kg
Colour	White RAL9003

## Frequency Response

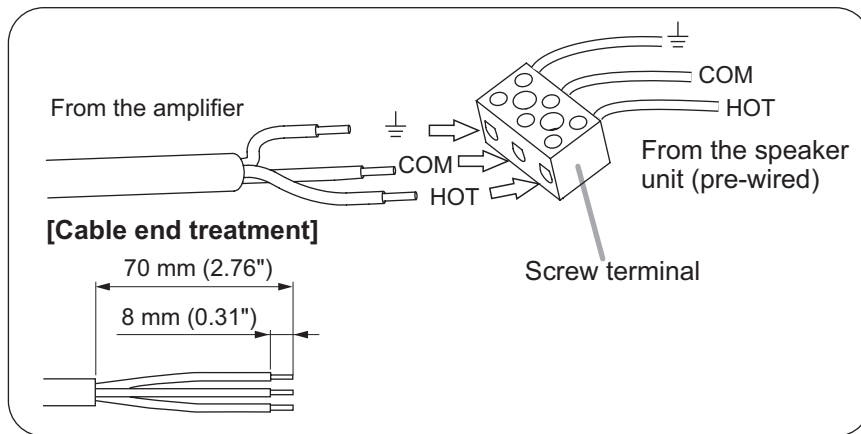


# SCS-110M-03-EN

Fire Protected Ceiling / Wall Loudspeaker

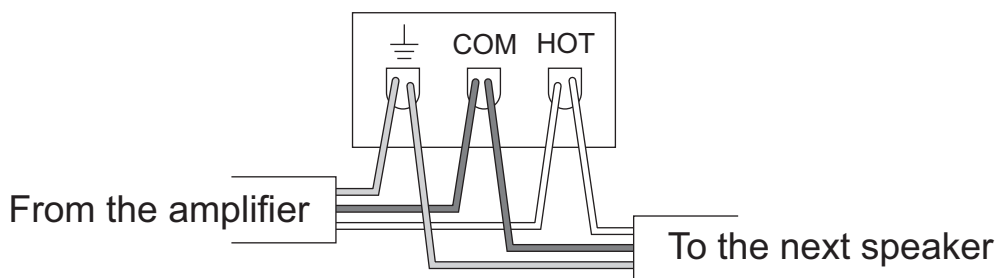
## Wiring

Connect the lead-in cable (the one from the amplifier) to the screw terminal. In this case strip the cable wires as shown on the picture below.

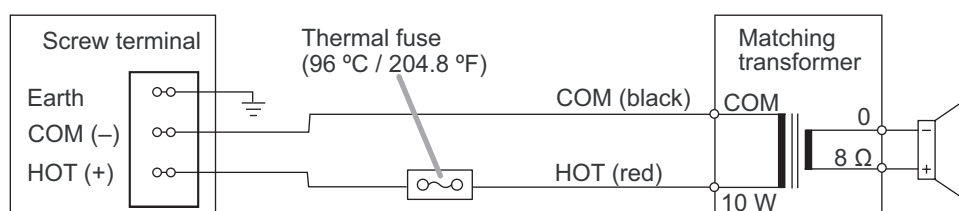


When connecting the lead-out cable (the one to the next speaker), connect both the lead-in and leadout cables of the same polarity to each corresponding input terminal.

Viewed from the screw terminal's bottom side



## Wiring Diagram



# SCS-110M-03-EN

Fire Protected Ceiling / Wall Loudspeaker

## Installation Procedure

- 1) In case of recessed mounting cut a hole in a ceiling/wall in the desired mounting location of the loudspeaker.
- 2) Remove front part from the cabinet.
- 3) Screw cabinet to ceiling/wall with 2-4 screws.
- 4) Loosen the clamping screw-nut of one of two cable glands and put connecting cable through the cable gland.
- 5) Connect cable to the screw terminal and tighten the screw-nut of the cable gland.
- 6) Screw front part to the cabinet with two provided screws.

## Certifications And Approvals

All SONAR loudspeakers are designed to withstand operating at their rated power for 100 hours in accordance with IEC 268-5 (ГОСТ 16122-87) Power Handling Capacity (PHC) standards. This ensures extra reliability under extreme conditions, leading to greater customer satisfaction, longer operating life, and much less chance of failure or performance deterioration.

Safety of all SONAR loudspeakers is in accordance with IEC 60065.

This loudspeaker is supplied with a 1 year warranty against defective materials and workmanship since date of purchase.

